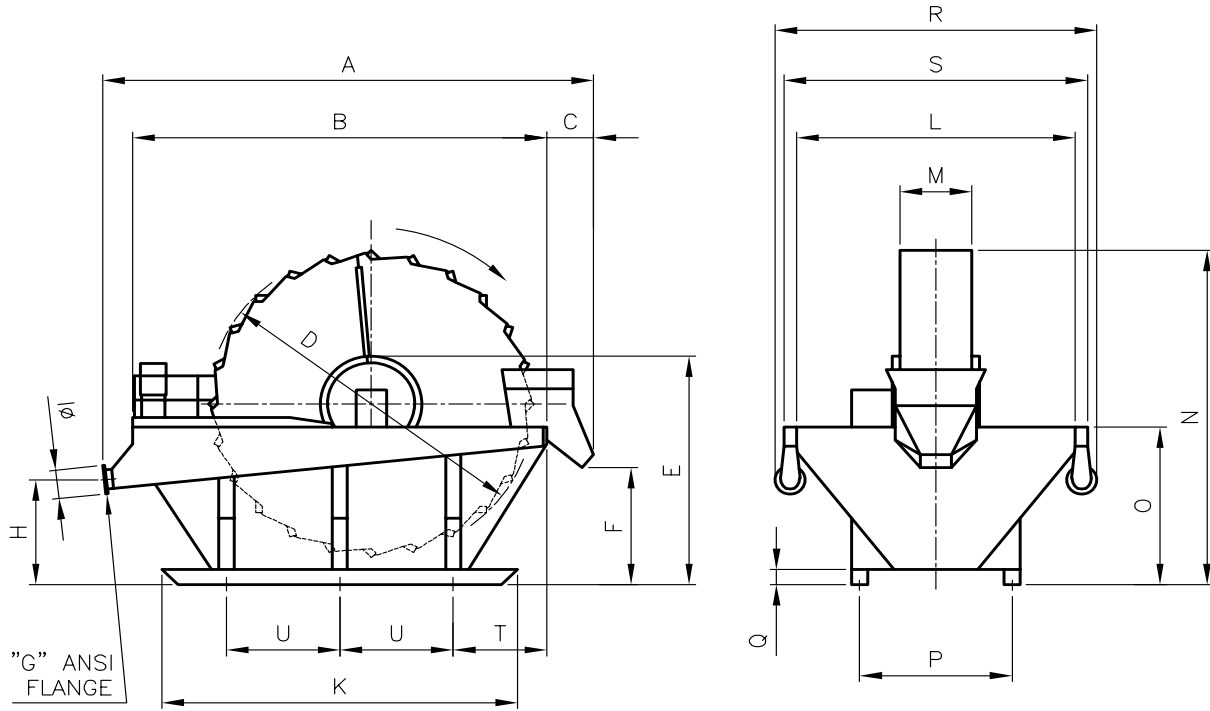




**Bucket Wheel Dimensional Sheet**  
**Models 60/80FS, 80/120FS, 150/200FS**



MODEL	60/80 FS		80/120FS		150/200 FS	
DIM.	in.	(mm)	in.	(mm)	in.	(mm)
A	181	(4600)	273-5/8	(6950)	305-1/8	(7750)
B	137-3/4	(3500)	204-7/8	(5200)	236-1/4	(6000)
C	34-5/8	(880)	50	(1270)	49-1/4	(1250)
D	138-1/2	(3520)	173-1/4	(4400)	190-1/2	(4840)
E	112-1/4	(2850)	128	(3250)	155-1/2	(3950)
F	27-1/2	(700)	27	(685)	40	(1020)
G	10" - 150#		12" - 150#		12" - 150#	
H	40-3/4	(1035)	42-1/2	(1080)	64-1/8	(1630)
I	15-7/8	(405)	19	(485)	18-7/8	(480)
K			200-3/4	(5100)	212-1/2	(5400)
L	-	-	98-1/2	(2500)	116-1/2	(2960)
M	27-1/2	(700)	35-1/2	(900)	35-1/2	(900)
N	144-7/8	(3680)	193-1/8	(4905)	212-1/4	(5390)
O	48	(1220)	75	(1905)	87-1/2	(2220)
P	47-1/4	(1200)	72	(1830)	78-3/4	(2000)
Q	-	-	10	(254)	12-1/2	(320)
R	-	-	125-3/8	(3185)	143-3/8	(3640)
S	102-3/8	(2600)	114-1/8	(2900)	132-1/4	(3360)
T	37-1/2	(950)	24	(610)	36-5/8	(930)
U	62-1/4	(1580)	156-5/8	(3980)	163	(4140)